

# SPECIAL MICROBORE DRILL REQUEST FORM



Drill diameter 'DØ' .....

Protrusion length 'L2' .....

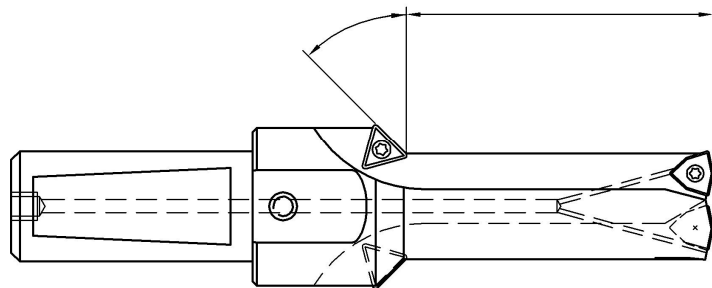
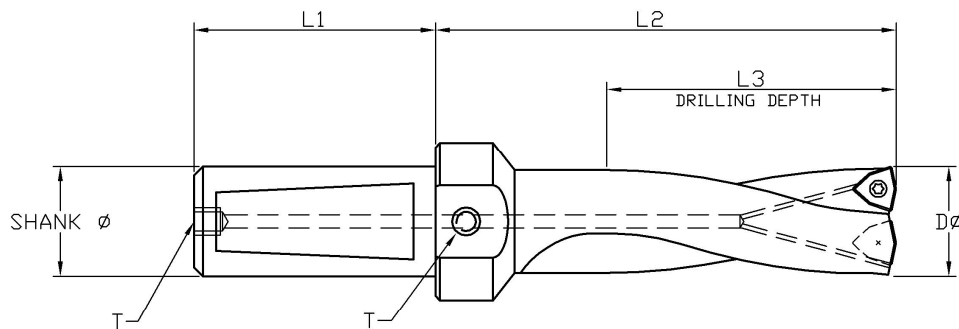
Drilling Depth 'L3' .....

Type / size of shank .....

Insert type .....

Coolant inlet thread 'T' .....

Other dimensions / features .....



YOUR COMPANY NAME: .....

CONTACT.....

CONTACT TEL NO.....FAX NO.....

Please Fax to: 0044 (0) 2476 373 322