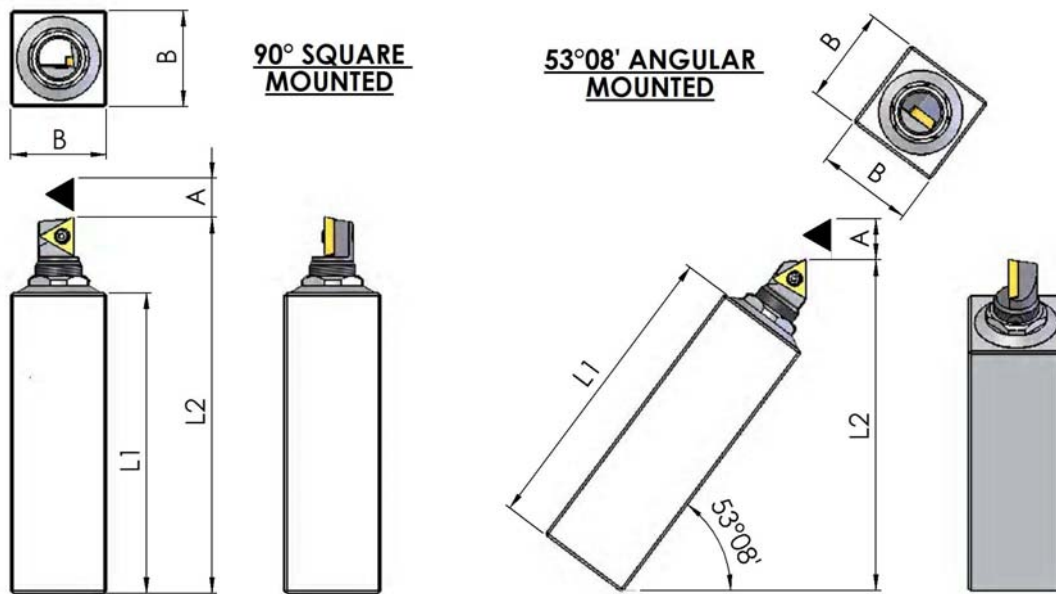


FVM SQUARE SHANK TOOL HOLDERS



90° SQUARE MOUNTED

ALL DIMENSIONS IN MM

TOOLHOLDERS	BODY	LENGTH	MICROBORE UNIT	INSERT TYPE	LENGTH	ADJ. RANGE
	'B'	'L1'			'L2'	'A'
FVM1-12-12-50	12	50	M1A5-50	BRAZED CARBIDE	56.0	5.5
FVM2-16-16-60	16	60	M2A5T06-50	TC_06T1__	70.0	5.5
			M2A5V-50	EP_0402__	68.7	5.5
FVM3-20-20-75	20	75	M3A5T09-50	TC_0902__	87.5	7.9
			M3A5C06-50	CC_0602__	86.5	7.9
FVM3-25-25-95	25	95	M3A5T09-50	TC_0902__	107.5	7.9
			M3A5C06-50	CC_0602__	106.5	7.9
FVM5-32-32-115	32	115	M5A5T11-50	TC_1102__	130.0	13.5
			M5A5C06-50	CC_0602__		
FVM7-40-40-125	40	125	M7A5T16-100	TC_16T3__	150.0	17.0
			M7A5C09-100	CC_09T3__		

53°08' ANGULAR MOUNTED

TOOLHOLDERS	BODY	LENGTH	MICROBORE UNIT	INSERT TYPE	LENGTH	ADJ. RANGE
	'B'	'L1'			'L2'	'A'
FVM1-12-12-50	12	50	M1A2-40	BRAZED CARBIDE	48.2	3.7
			M1A2VWB03-40	WBGTO30102	48.5	3.2
FVM1-12-12-50	16	60	M2A2T06-40	TC_06T1__	60.0	4.5
			M2A2V-40	EP_0402__	59.7	4.4
FVM3-20-20-75	20	75	M3A2T09-40	TC_0902__	75.3	6.4
			M3A2C06-40	CC_0602__	74.9	6.4
FVM3-25-25-95	25	95	M3A2T09-40	TC_0902__	92.8	6.4
			M3A2C06-40	CC_0602__	92.4	6.4
FVM5-32-32-115	32	115	M5A2T11-40	TC_1102__	111.4	10.3
			M5A2C06-40	CC_0602__		
FVM7-40-40-125	40	125	M7A2T11-80	TC_16T3__	133.3	12.7
			M7A2C09-80	CC_09T3__		

-MICROBORE UNITS SOLD SEPARATELY-

