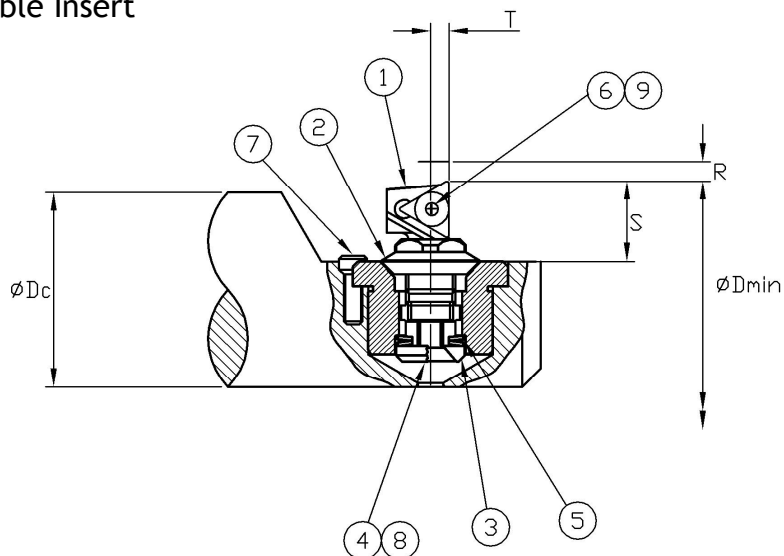


# MICROBORE 'CM' STYLE ADAPTOR BUSHES



Square Mounted, Spring Loaded.  
Triangular Indexable Insert



Microbore Bush & Unit	ØD min	ØDc	S	R	T	Insert
CM2B5T06-50	25.0	22.0	9.7	2.5	2.0	TCMT06T104
CM3B5T09-50	35.0	30.0	12.3	4.0	3.0	TCMT090204
CM5B5T11-50	45.0	43.0	16.0	7.1	5.4	TCMT110204
CM7B5T16-100	65.0	63.0	25.4	10.3	6.4	TCMT16T304

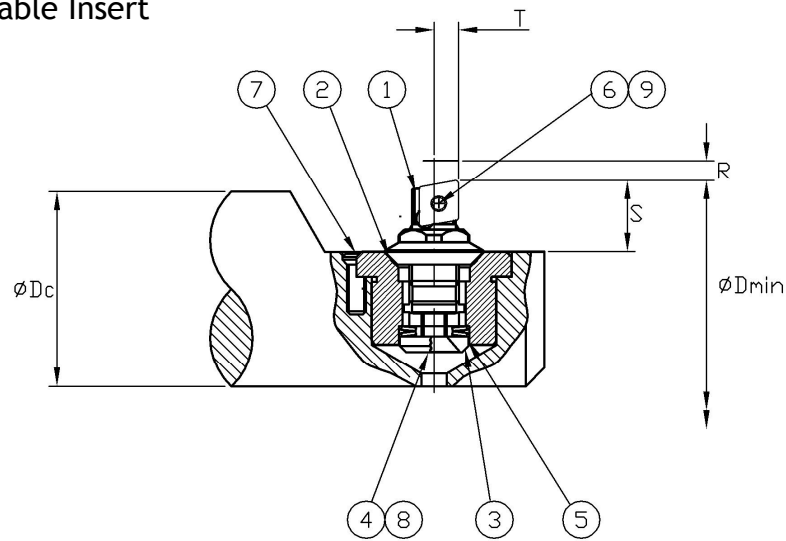
NOTE: ØD is the minimum bore size using a bar specially designed for the purpose.

Spare Parts Included as Bush and Unit									
Unit	Dial	Washer	Lock Screw	Spring Washer	Insert Screw	Bush Screw	Allen Key	Insert Key	Bush
1	2	3	4	5	6	7	8	9	
M2B5T06-50	N/A	2306	MS101	2243	DIT6	M3x10 MOD	2.0 A/F	T6	CM2612
M3B5T09-50	N/A	3306	MS104	3243	P2205	M3x10 MOD	2.5 A/F	T7	CM3612
M5B5T11-50	5755	5306	MS107	5243	P2506	M4x12 MOD	4.0 A/F	T8	CM5612
M7B5T16-100	7760	7306	MS110	7243	P3511	M5x16 MOD	6.0 A/F	T15	CM7612

# MICROBORE 'CM' STYLE ADAPTOR BUSHES



Square Mounted, Spring Loaded.  
Rhomboid Indexable Insert



Microbore Bush & Unit	ØD min	ØDc	S	R	T	Insert
CM2B5V-50	25.0	22.0	8.7	2.4	3.0	EPMT040204
CM3B5C06-50	35.0	30.0	11.1	4.0	4.0	CCMT060204
CM5B5C06-50	45.0	43.0	16.0	7.1	5.4	CCMT060204
CM7B5C09-100	65.0	63.0	25.4	10.3	6.4	CCMT09T304

NOTE: ØD is the minimum bore size using a bar specially designed for the purpose.

Spare Parts Included as Bush and Unit									
Unit	Dial	Washer	Lock Screw	Spring Washer	Insert Screw	Bush Screw	Allen Key	Insert Key	Bush
1	2	3	4	5	6	7	8	9	
M2B5V-50	2255	2306	MS101	2243	F2004T	M3x10 MOD	2.0 A/F	T6	CM2612
M3B5C06-50	3755	3306	MS104	3243	CO2505	M3x10 MOD	2.5 A/F	T7	CM3612
M5B5C06-50	5755	5306	MS107	5243	CO2506	M4x12 MOD	4.0 A/F	T7	CM5612
M7B5C09-100	7760	7306	MS110	7243	CO4008	M5x16 MOD	6.0 A/F	T15	CM7612