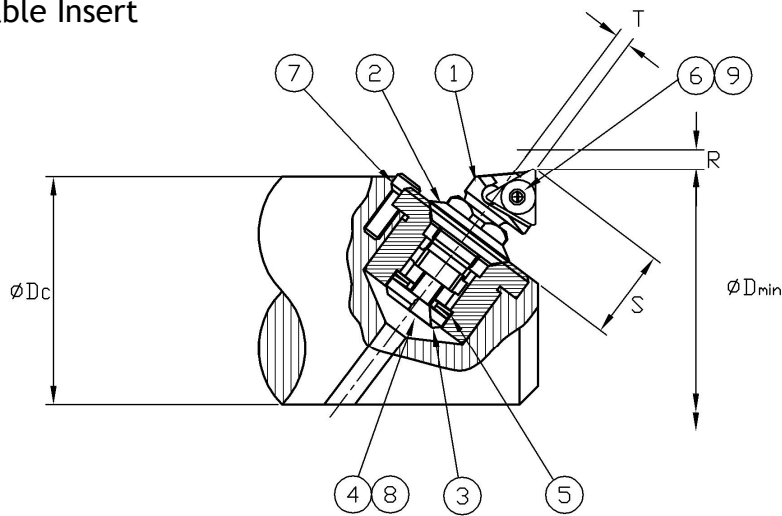


MICROBORE 'CM' STYLE ADAPTOR BUSHES



Angular Mounted, Spring Loaded.
Triangular Indexable Insert



Microbore Bush & Unit	ØD min	ØDc	S	R	T	Insert
CM2B2T06-40	26.0	24.0	9.7	2.0	1.3	TCMT06T104
CM3B2T09-40	30.0	28.0	13.4	2.4	2.6	TCMT090204
CM5B2T11-40	40.0	38.0	16.0	5.6	0.2	TCMT110204
CM7B2T16-80	60.0	58.0	25.4	7.9	-1.6	TCMT16T304

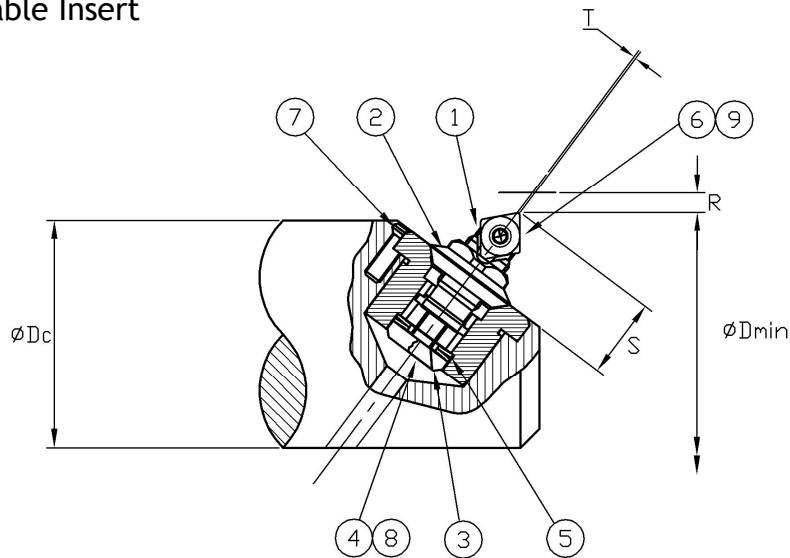
NOTE: ØD is the minimum bore size using a bar specially designed for the purpose.
'T' dimn. is to insert sharp corner, a minus sign denotes insert is behind unit centreline.

Spare Parts Included as Bush and Unit									
Unit	Dial	Washer	Lock Screw	Spring Washer	Insert Screw	Bush Screw	Allen Key	Insert Key	Bush
1	2	3	4	5	6	7	8	9	
M2B2T06-40	N/A	2306	MS101	2243	DIT6	M3x10 MOD	2.0 A/F	T6	CM2611
M3B2T09-40	N/A	3306	MS104	3243	P2205	M3x10 MOD	2.5 A/F	T7	CM3611
M5B2T11-40	5754	5306	MS107	5243	P2506	M4x12 MOD	4.0 A/F	T7	CM5611
M7B2T16-80	7758	7306	MS110	7243	P3511	M5x16 MOD	6.0 A/F	T15	CM7611

MICROBORE 'CM' STYLE ADAPTOR BUSHES



Angular Mounted, Spring Loaded.
Rhomboid Indexable Insert



Microbore Bush & Unit	ØD min	ØDc	S	R	T	Insert
CM2B2V-40	26.0	24.0	8.7	1.8	0.3	EPMT040204
CM3B2C06-40	30.0	28.0	11.1	3.2	0.2	CCMT060204
CM5B2C06-40	40.0	38.0	16.0	5.6	1.2	CCMT060204
CM7B2C09-80	60.0	58.0	25.4	7.9	-1.6	CCMT09T304

NOTE: ØD is the minimum bore size using a bar specially designed for the purpose.
'T' dimn. Is to insert sharp corner, a minus sign denotes insert is behind unit centreline.

Spare Parts Included as Bush and Unit									
Unit	Dial	Washer	Lock Screw	Spring Washer	Insert Screw	Bush Screw	Allen Key	Insert Key	Bush
M2B2V-40	2254	2306	MS101	2243	F2004T	M3x10 MOD	2.0 A/F	T6	CM2611
M3B2C06-40	3754	3306	MS104	3243	CO2505	M3x10 MOD	2.5 A/F	T7	CM3611
M5B2C06-40	5754	5306	MS107	5243	CO2506	M4x12 MOD	4.0 A/F	T7	CM5611
M7B2C09-80	7758	7306	MS110	7243	CO4008	M5x16 MOD	6.0 A/F	T15	CM7611